

# PYLE®



## view

20" CEILING MOUNT TFT-LCD MONITOR  
WITH TV TUNER SYSTEM & IR HEADPHONE



PLVW20T

# Table of Contents

1. Table of Contents-----	1
2. Warning -----	1
3. Usage Notice-----	2
4. Package -----	3
5. Function Descriptions-----	4
6. Start Your Installation-----	4
7. Setting Up The Dome Lamps-----	5
8. Installation Your Monitor-----	6
9. Operating the Monitor-----	7
10. Closing Monitor-----	7
11. OSD Menus in A/V Source-----	8
12. Remote Control-----	9
13. Appendix-----	9
14. Specifications -----	10
15. TV TUNER BOX -----	11
16. Remote Control Function -----	11
17. Tuner Intstallation and Electrical Connections -----	12
18. Installation -----	12
19. Specifications -----	16

## **WARNING**

This unit is not intended for installation in the front Driver / Passenger Compartment where it may be seen by the Driver. Installation of this unit in any portion of the vehicle which could impair or distract the Driver is improper and dangerous and **PYLE** assumes **No liability** whatsoever for failure to follow the proper installation of this product.

To reduce the risk of electric shock, please do not expose this unit to rain, moisture or open the unit. Dangerous high voltages are present inside the unit.

Our warranty could be voided if you make changes or modifications not expressly approved by **PYLE**

## Usage Notice

Follow all warnings, precautions and maintenance as recommended in this user's manual to maximize the life of your LCD monitor

- ⊘. To avoid the damage of the LCD monitor and risk of electronic shock, do not allow the LCD monitor to get wet. If the monitor gets wet, turn off the power, unplug the power cord and send the LCD monitor to your local dealer or our service center as soon as possible.
- ⊘. Use a regular power specification of DC 12V . Do not use any other power supply with different voltage.
- ⊘. Do not place objects on or suspend them with the power cord.  
This will damage the power cord.
- ⊘. Do not tangle or twist the power cord . And do not expose it to any heated object.
- ⚠. Do not try to repair the power cord when it is damaged or broken, change a new one immediately.
- ⊘. Avoid dropping any metal objects or inflammable liquids into the LCD monitor from ventilation slots.
- ⊘. Do not attempt to open or disassemble the LCD monitor yourself as this may cause electronic shock.
- ⚠. When there is smoke or peculiar smell in use, unplug the power cord immediately and send it to your local dealer or our service center.
- ⚠. When there is damage to the LCD monitor casing, send it to your local dealer or our service center.
- ⊘. Do not use this LCD monitor in areas susceptible to excessive dust, dirt, and humid.
- ⊘. Do not install the LCD monitor in areas that are exposed to direct sunlight, extreme heat, and extreme cold environment.
- ⊘. Do not expose the LCD monitor to rain or moisture.

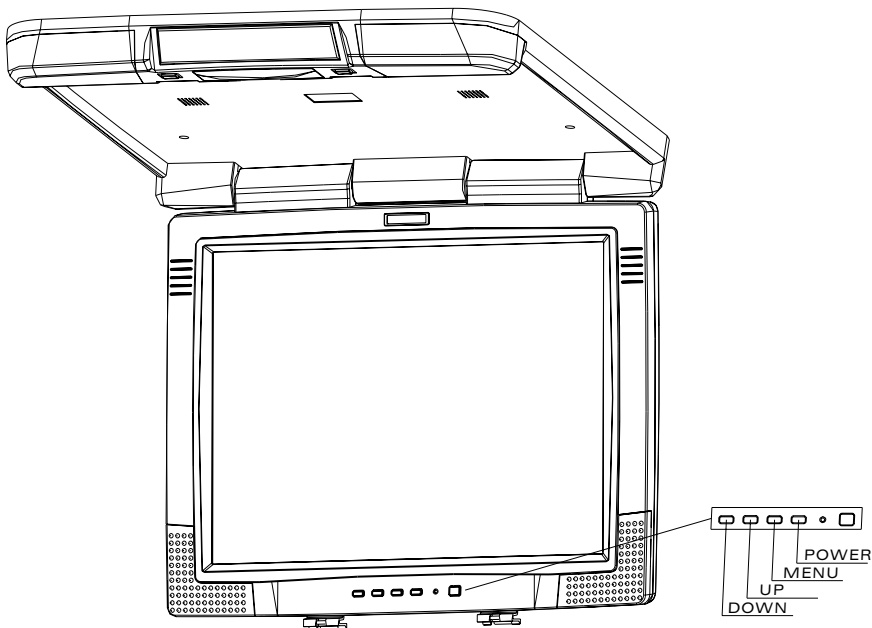
## Package

This LCD monitor comes with all the items below. Check to make sure your unit complete. Contact your dealer immediately if anything is missing.

- \* 20" High RES TFT-LCD Wide Screen Monitor
- \* Overhead Console Mounting Bracket
- \* Credit Card Size Remote Control with Batteries
- \* Interface Cable with RCA jacks for Audio / Video Connection and 12V DC
- \* User's Manual
- \* Warranty Card
- \* Infrared Wireless Headphone

## User Control Overview

- \* Panel Control

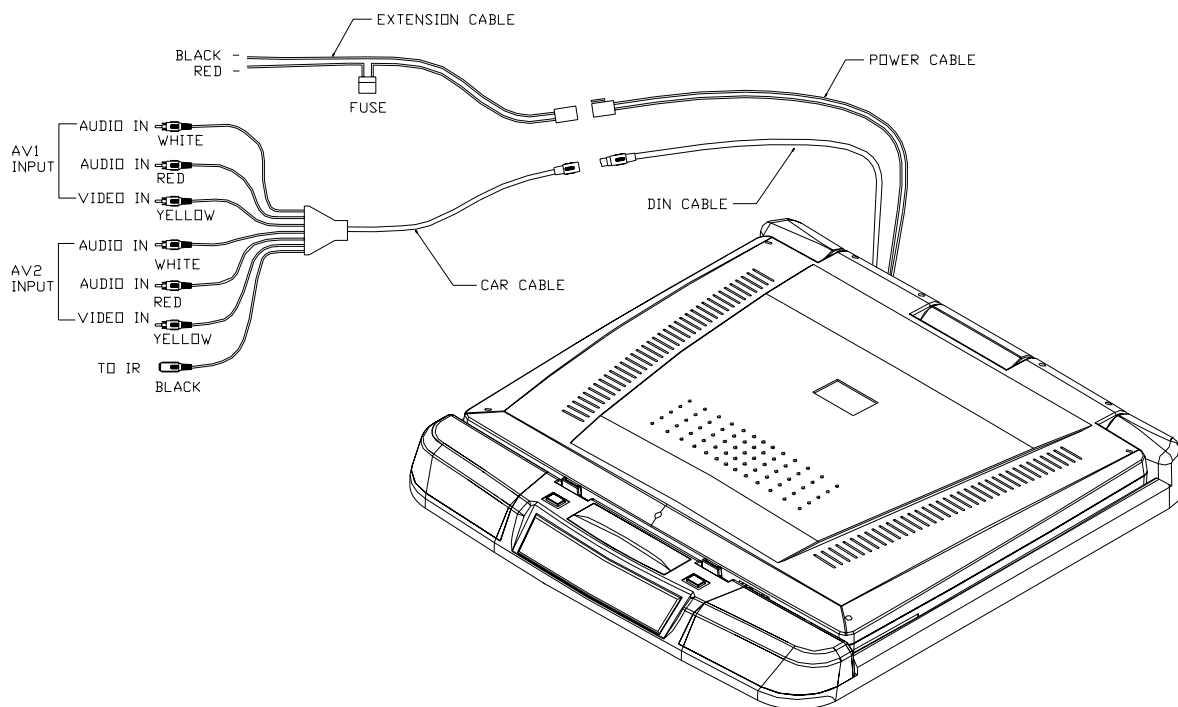


## Function Descriptions

- \* Power: You may also turn the monitor on and off with the "Power" button.
- \* Menu: Press the "MENU" button to pop up the OSD menus.
- \* ▲ / ▼ Keys: 1. Press the "▲ / ▼" key to increase or decrease volume.  
2. Make item selection in OSD menus to increase or decrease parameters as well.
- \* Mute: Press the "Mute" button from the remote control to turn off the sound of the LCD monitor.

## Start Your Installation

### \* Monitor connection



## Setting Up The Dome Lamps

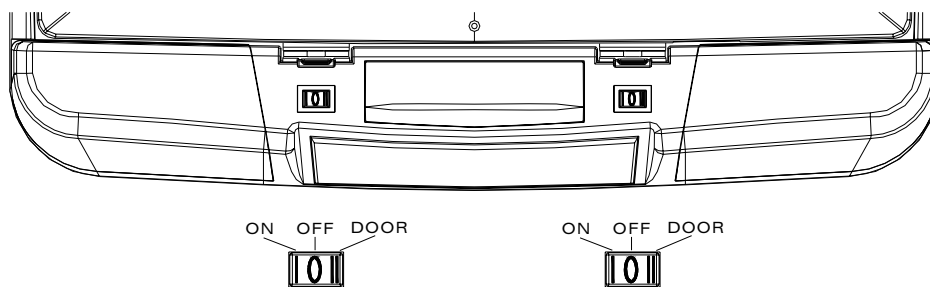
### \*Operating the dome Lamps

1. There are three function buttons for the Dome lamps operation: OFF, DOOR, and ON. (Refer to the following figure)

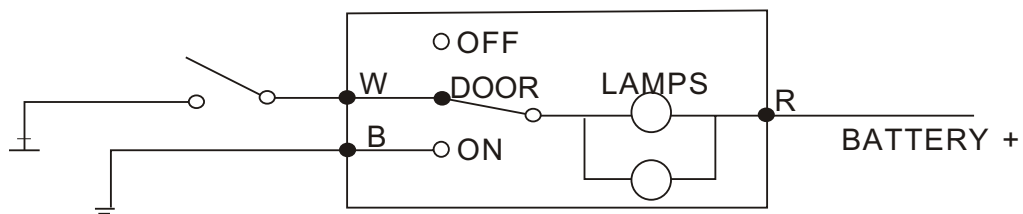
A. OFF: To turn off the lamps.

B. DOOR: To make the lamps turn on only when car doors are opened.

C. ON: To turn on the lamps.



### \* The electric circuit figure



Point	Power Cord Color	Connection
R	Red	Connecting With Power Supply
W	White	Connecting With Sensor of Car Doors
B	Black	For Ground Connection

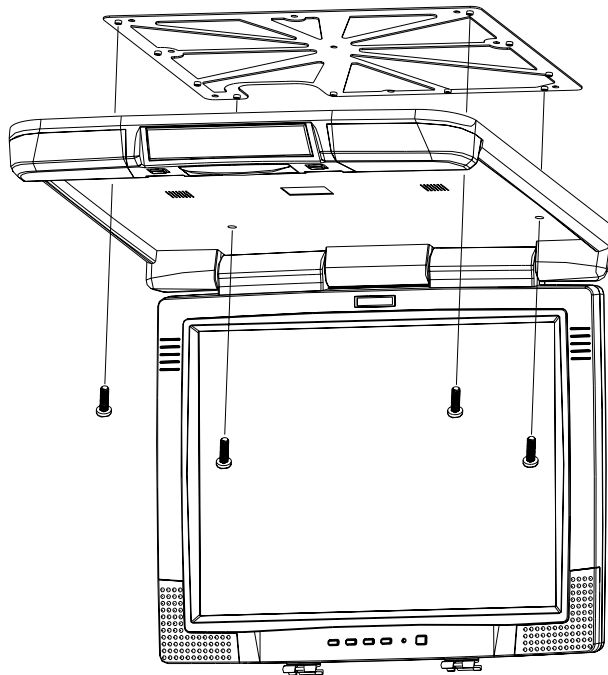
### \* Remarks:

1. There is no wiring connection necessary at "B" point as "B" has been connected when the metal bracket is screwed in.
2. Only use 12 volt DC power.

## Installation your Monitor

Take care to select a suitable installation location and secure method fastening for the monitor:

- \*The unit should not distract or obstruct the driver.
- \*The installation should not inhibit the entry to, or the exit from the vehicle.
- \*The unit should not interfere with other vehicle components e.g., (sliding sunroof).
- \*Make sure the unit is installed to a secure, mounting location and cannot become dislodged in the event of an emergency stop.
- \*Do not support the unit using only the vehicle interior fabric roof lining.
- \*If driving screws is required, take care not to penetrate through the other sheet metal of the vehicle.
- \*Avoid prolonged use of the monitor when the engine is not running to prevent draining the vehicle battery.
- \*Place the mounting metal plate with the nuts facing upward, then, mount the monitor using the screws included.



## Operating the Monitor

### \* Powering up the monitor

The monitor will be automatically turned on when releasing the monitor from the base unit and "OFF" when it is closed.

## Operating Instructions

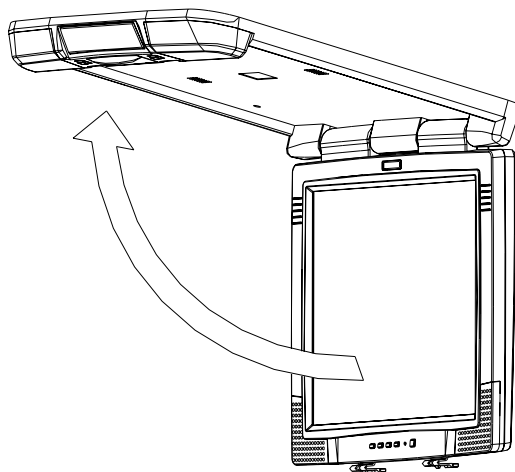
### Opening the Monitor

1. Press the monitor release button to lower the LCD screen.
2. Lower the monitor until is at the proper viewing angle.  
(Refer to the following figure.)



## Closing Monitor

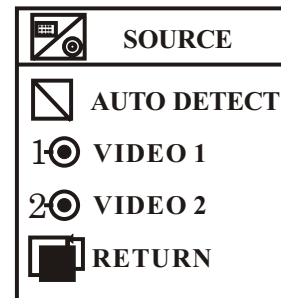
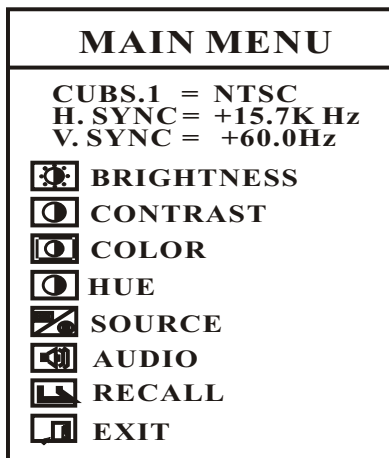
1. Return the monitor to the central viewing position.  
(Refer to the following figure)
2. Push the monitor back into the monitor base unit until the screen engages with the release button.



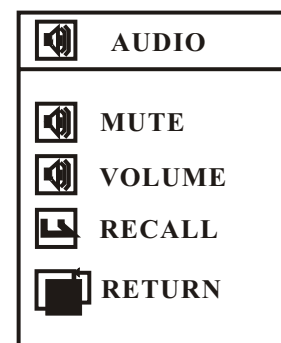


## \* OSD Menus in A/V Source

### A. Source Selection Menu



### B. Audio Input Selection Menu



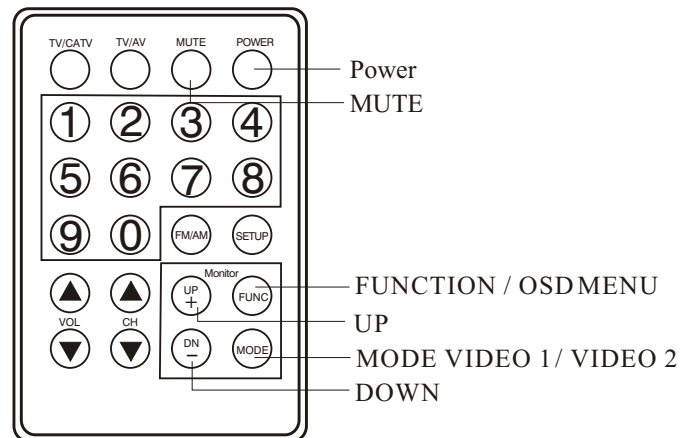
## \* Quick Adjustment OSD Menus

1. By pressing "MENU" button, you may open the MAIN MENU, using "▲" or "▼" buttons to pick out OSD functions.
2. In order to select desire options, it is necessary to press "MENU" again to enter each mode, than using "▲" / "▼" to increase or decrease parameters as well.
3. Press "▲" or "▼" button directly to adjust speaker volume.



4. Press the "EXIT" mode to store your selected parameter and leave the OSD Menus.

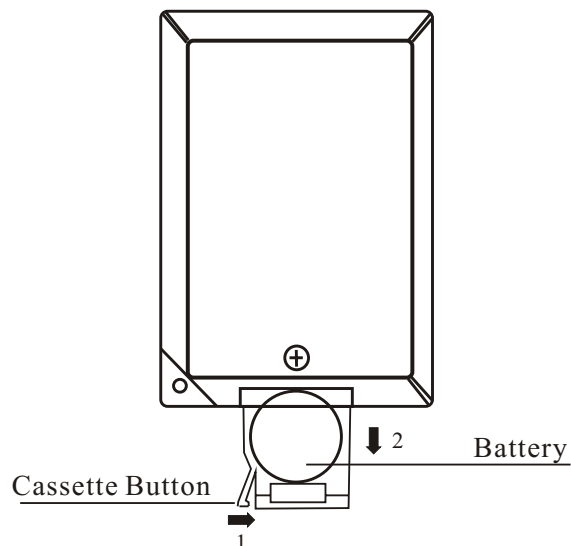
# Remote Control



## Appendix

### Changing the New Battery in Remote Control

1. Push the battery case button to wards the right. (As shown # 1 in below figure)
2. Pull the battery case away from the remote control. As shown # 2 in below figure) Change a new battery.



## Specifications

1. Type	Roof Mount Color Display Monitor
2. Signal Input	Sync. : Separate TTL sync. Video : Composite sync. System : NTSC M,N PAL SECAM Audio : 1.0Vp-p
3. Display System	Active Matrix High Resolution TFT-LCD Monitor
4. Environment	Operating Temperature : 0°C~35°C Storage Temperature : -20°C~ 60°C Humidity : 20% ~ 90%

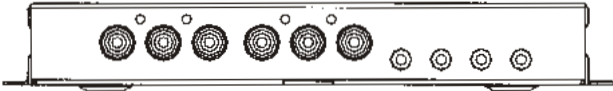
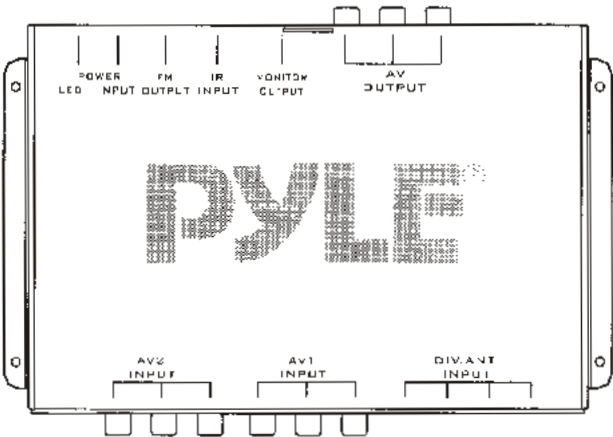
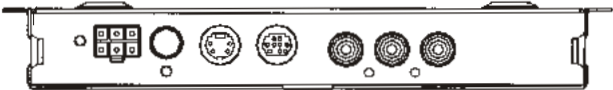
### 20" High Resolution TFT-LCD 4:3 Wide Screen Flip-Down Monitor With Infrared Wireless Headphone and Dome Lights

#### Features

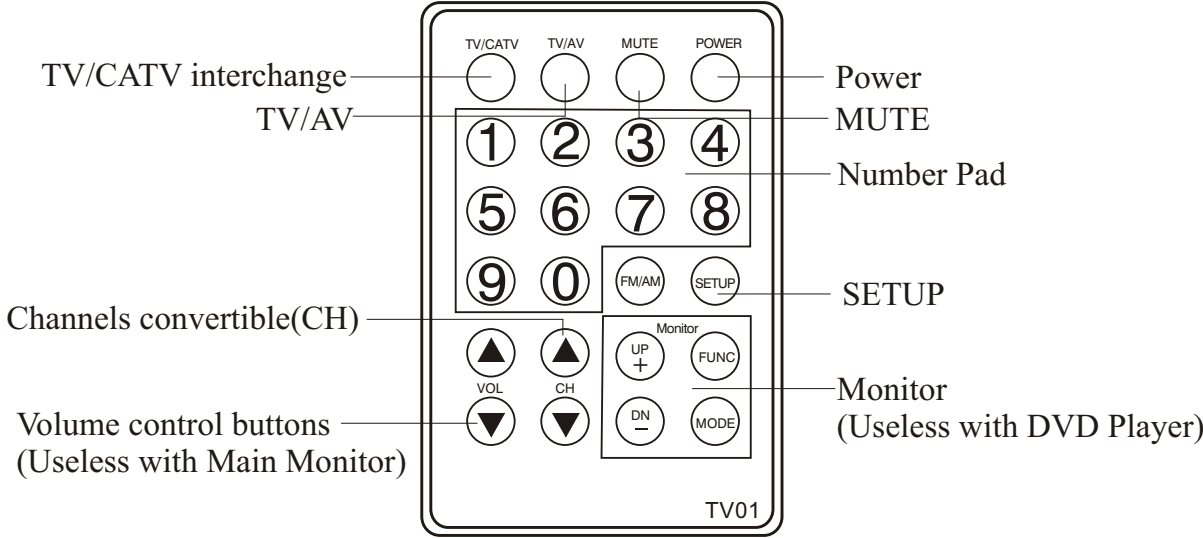
- \* Active Matrix High Resolution TFT-LCD Monitor
- \* 20" Widescreen (4:3) Display
- \* Polarized, Anti-glare, Hard Coated Panel
- \* 450 cd/m brightness for unparalleled picture quality
- \* Wide Viewing Angle: H 160 degree, V 140 degree
- \* Multi-System Video: NTSC/PAL/SECAM
- \* Overhead Console Flip-Down Mounting Bracket Included
- \* Wireless Remote Control Included
- \* On screen Menu
- \* Built-in Twin Dome Lights
- \* Interface Cable with RCA Jacks for Easy Connection
- \* Dual RCA Audio / Video Inputs.
- \* 11~13.8VDC Power source with Noise Filter Circuit
- \* Display Colors : 8 bits interface (16.7 M colors)
- \* Infrared wireless headphone included

# TV TUNER BOX

*System features and controls:*



**Remote control functions**



## Tuner Installation and electrical connections

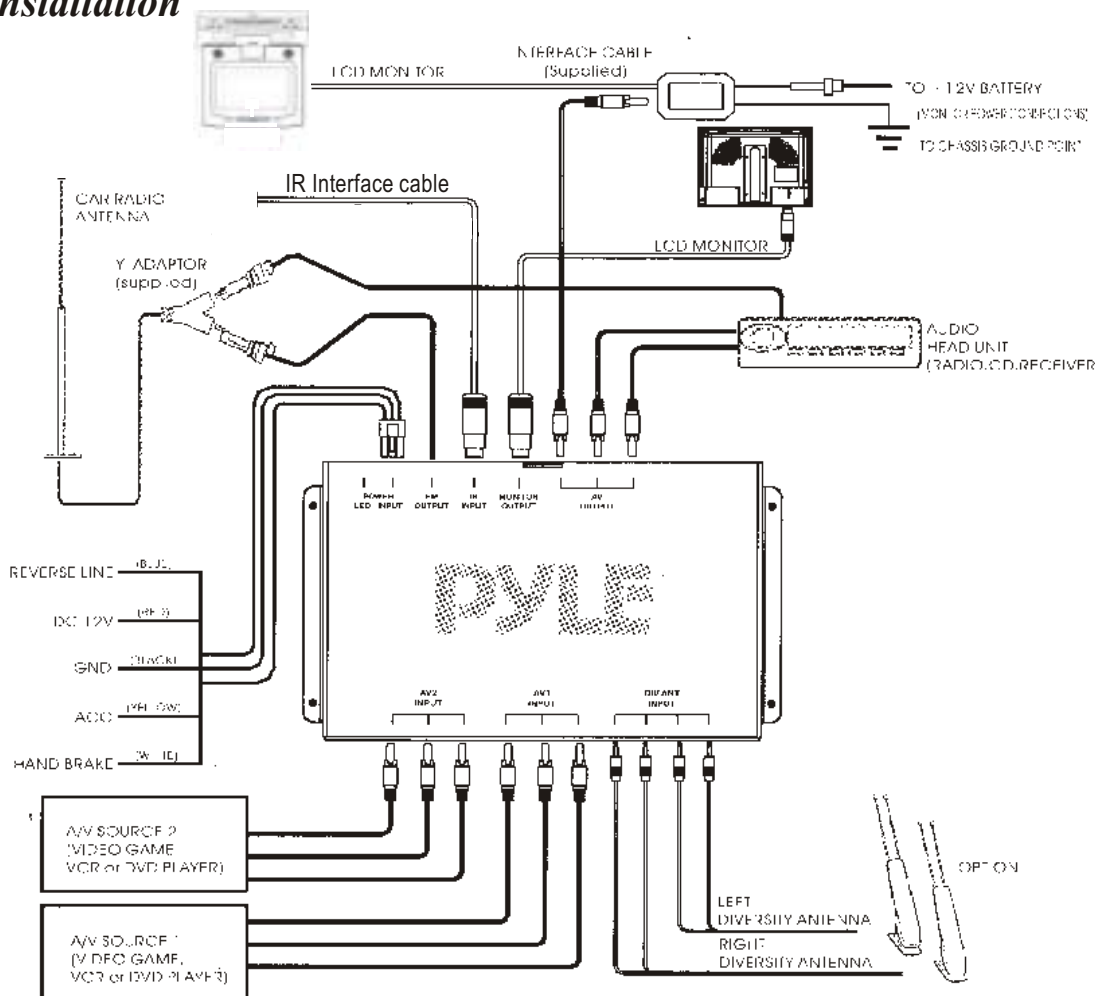
1. Find a suitable location for the tuner unit and mount it securely in place. Be sure to place it in an area away from moisture and dirt, and where incoming cables will not be walked on or pulled accidentally.
2. Make all required audio, video and power connections to the appropriate connectors on the tuner as indicated in the drawing below to suit your system installation. Install the infrared remote eye in a location you know will be Installation in line-of-sight with the remote control use location

Please note that the drawing below describes connections for all system possibilities and your particular system may vary from this.

For example, if your car radio lacks AUX line level input jacks, you will be unable use the A/V VIDEO OUT jacks to provide audio. In this case, you can take advantage of the built-in FM transmitter in the tuner box which will broadcast the audio to your car radio instead.

You may chose to use just the car radio antenna, just the diversity antenna system, or both. Similarly, you system may include one A/V input source or two. You may or may not have an additional viewing monitor.

### Installation



## ***Operating your system in a safe and legal manner***

When operating a motor vehicle, it should always be your highest priority to maintain safe driving habits.

It is illegal in many areas of the country to drive with the TV or monitor turned on, when it is visible to the driver. Please check your local and state laws governing the use of Mobile Entertainment systems in your use area.

If you have installed the monitor in a position where it is visible to the driver, be sure to install the Safety Cord (included with this system). Wire the cord to an Accessory wire which has + 12V power when the ignition is switched on. This will prevent the operation of the TV or monitor when the ignition is on.

If you do not know how to install this Safety Cord, please consult with a mobile video installer in your area and have it done properly prior to using the system.

## ***Using the diversity antennas***

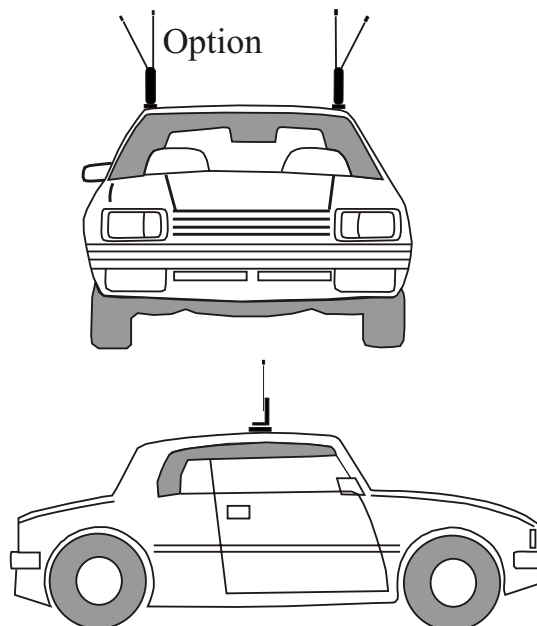
To attach firmly to your car's exterior. These magnets have a rubber coating to permit secure mounting without risk of damaging your car's finish.

The ideal placement for your antennas is on the vehicle's roof. Use the picture below as a rough guideline for installation; yours may vary due to the shape of your car. Note that the antenna module contains one antenna in a fixed position and one which may be adjusted.

Place one antenna on the right edge of the roof of your car at about the midpoint of the length of the roof. Orient the antenna so that the fixed antenna is closer to the centerline of the vehicle. Now adjust the repositionable portion of the antenna so that there is about a 15 degree angle between it and the fixed antenna portion.

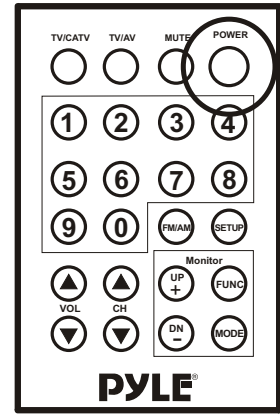
Repeat this procedure with the other antenna module, again with the fixed antenna closer to the centerline of the vehicle.

Plug the jacks at the ends of the cables from the antennas into the antenna jacks on the tuner according to the diagram shown on page 2 of this manual. The diversity antennas provided with your system use powerful magnets option.



## Powering up the system

1. Press and hold the POWER On/Off button on the remote until the green LED on the front of the monitor is illuminated. The On Screen Display will show the position of the system at the time it was last turned off (for example, if you were watching CATV Channel 38 when you last turned the power off, the system will display "CATV CH 38").
2. Turn off the system by pressing the POWER On/Off button on the remote. The screen will go dark and the green LED will go out; the tuner unit will be in STANDBY mode.

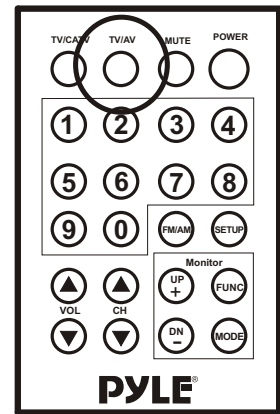


## Selecting the input Mode

Your Video Tuner can switch between four different video sources using the remote control. These modes are as follows; TV Mode: for receiving TV Channels 2-69  
CATV Mode: for receiving satellite dish, Cable or other broadcast source video

AV1: External audio and video inputs for DVD, VCR or video game

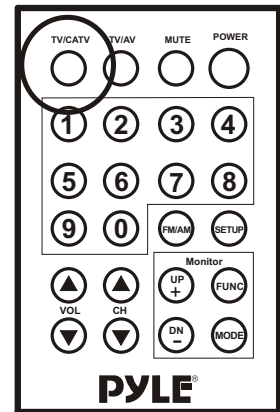
AV2: External audio and video inputs for DVD, VCR or video game



## Programming Channels for TV/CATV

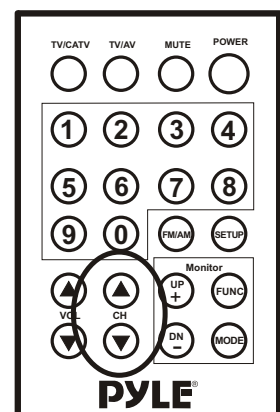
The tuner system can memorize channels in both TV (VHF and UHF) mode and CATV mode in two independent memory sections. To memorize channels in either mode, press the AUTO PROG button on the remote-the tuner will begin scanning all of the available channels and put them into memory. During this programming cycle, the screen will display "AUTO" in the upper left corner.

If you wish to interrupt the auto programming mode, press the Channel button. Interrupting in this manner is not recommended, however, because it will not program all channels properly.



## Selecting Channels

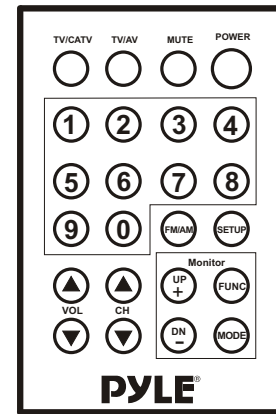
Use the Channel ▲ and ▼ buttons for selecting channels. If the unit has been auto programmed, the ▲ and ▼ buttons will step up or down through only the memorized channels. Pressing and holding the ▲ or ▼ buttons in the CATV mode will cause the unit to step automatically through all available channels until the Button is released; pressing and holding these buttons in TV mode will cause the tuner to "seek" any air channel which can be received.



## *Adjusting the sound*

The tuner system permits you to adjust many viewing parameters easily. These are:

**Audio Mute:** Pressing the MUTE button will disable the audio output, and will display "MUTE" on the upper right corner of the monitor screen. To cancel the muting function, press MUTE again.



Please note that if you are using FM Modulation to provide audio signal from the tuner to your car radio, applying the mute function will also mute the audio portion of the signal delivered by the transmitter but not the tuner's output carrier signal. This may result in noise on your car radio.

## *Providing A/V audio to your car radio*

This system offers you two ways of playing the A/V audio through your car radio system. If your radio has AUX line-level inputs, you can attach the A/V Audio output connectors to these inputs with RCA-RCA interconnect cables.

If your car radio lacks these AUX line level inputs, your other option is to use the tuner's audio transmission ability (described in the next paragraph) to broadcast the audio signal within your car directly to the radio via FM modulation.

## *Transmitting audio to your car radio*

This tuner system is able to transmit the audio signal to your car radio in the FM radio spectrum. By tuning your radio to a corresponding channel, you can listen to the audio from your program source. This function is particularly important when installing in a car whose radio lacks AUX line level inputs.

To use this system tune your car radio from FM 88.1 to FM 99.9 for 20 channels the on you're A/V audio source.

You should be able to hear your AV audio broadcast through your car radio system. If you do not, go back into the Fm CHANNEL mode of the menu system and select FM 88.1 MHz to FM 91.9 MHz by channel step 0.2 MHz,,and exit the menu system.

To stop broadcasting your Video sound thru your car radio, tune the FM Band to any other channel or enter the menu system and select OFF in the FM CHANNEL submenu.



## *Specifications*

- |                        |  |
|------------------------|--|
| 1. Signal system       | NTSC   |
| 2. Audio/Video Inputs  | Audio R/L x2, Video x 2  |
| 3. Audio/Video Outputs | Audio R/L x2, Video x 1  |
| 4. FM Modulator        | 20 Channels: FM 88.1 MHz to FM 91.9 MHz<br>By channel step 0.2 MHz |
| 5. TV Channel          | Channels 2~125   |